

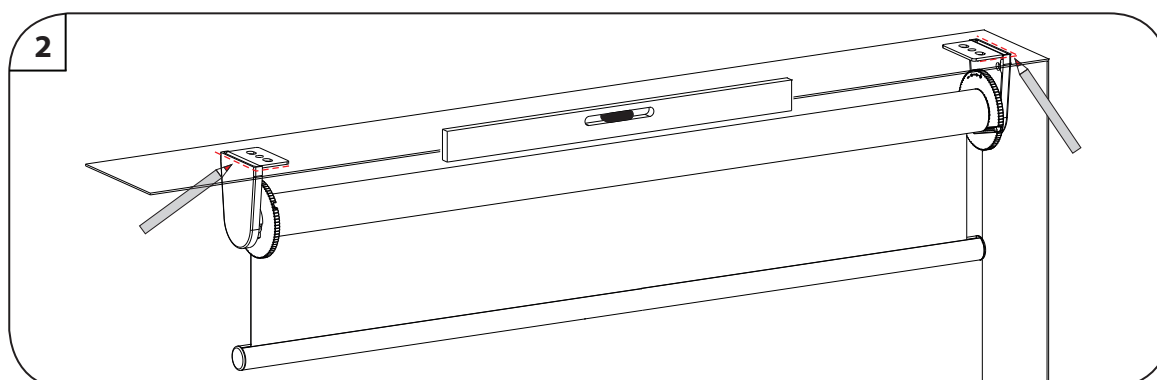
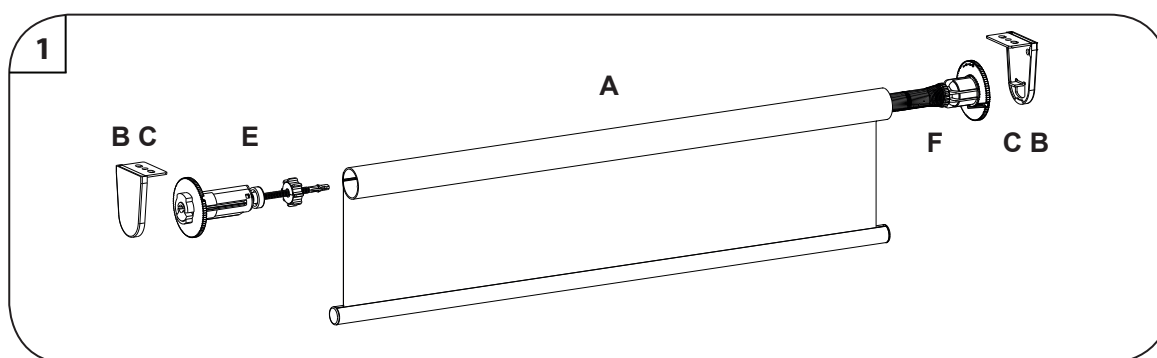
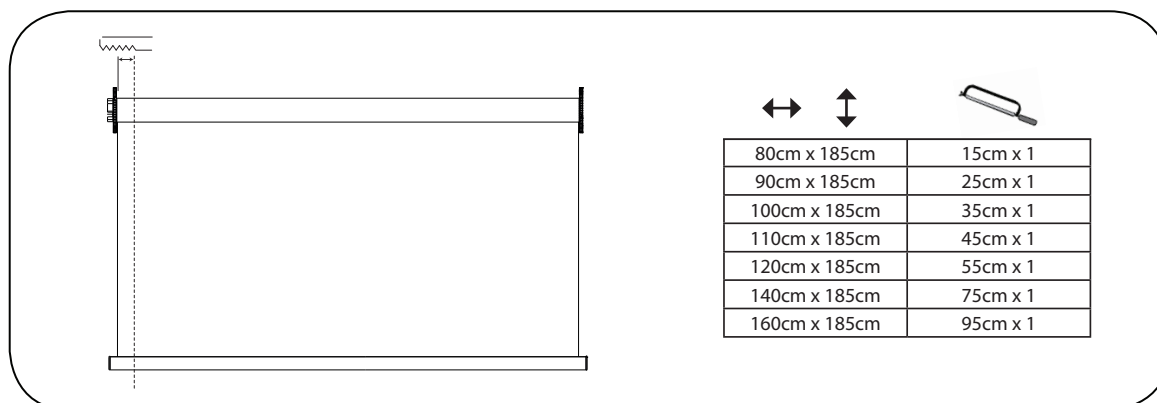
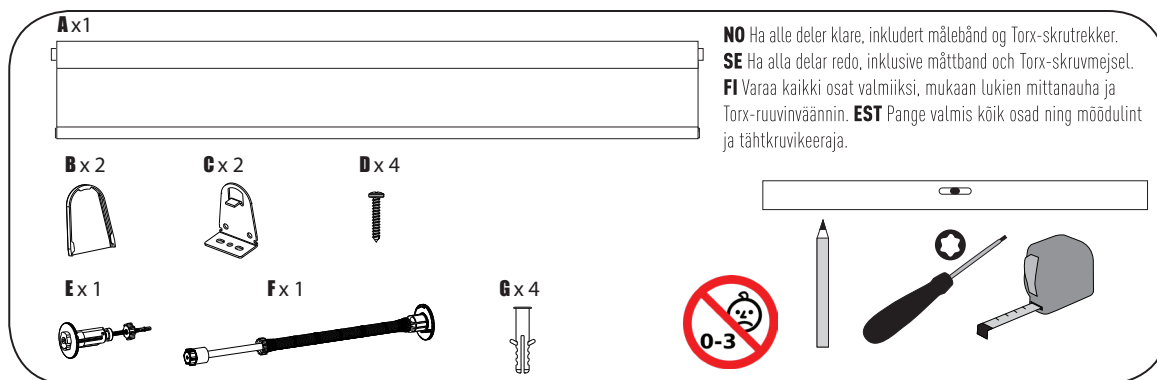
# Tuva / Filippa cordless roller blind

DEKOSOL®

## INSTALLATION INSTRUCTIONS

Regulation of speed / regulering av hastigheten / reglering av hastigheten / nopeuden säätö / kiiruse reguleerimine

Have all the parts to hand, including a measuring tape and Torx screwdriver.

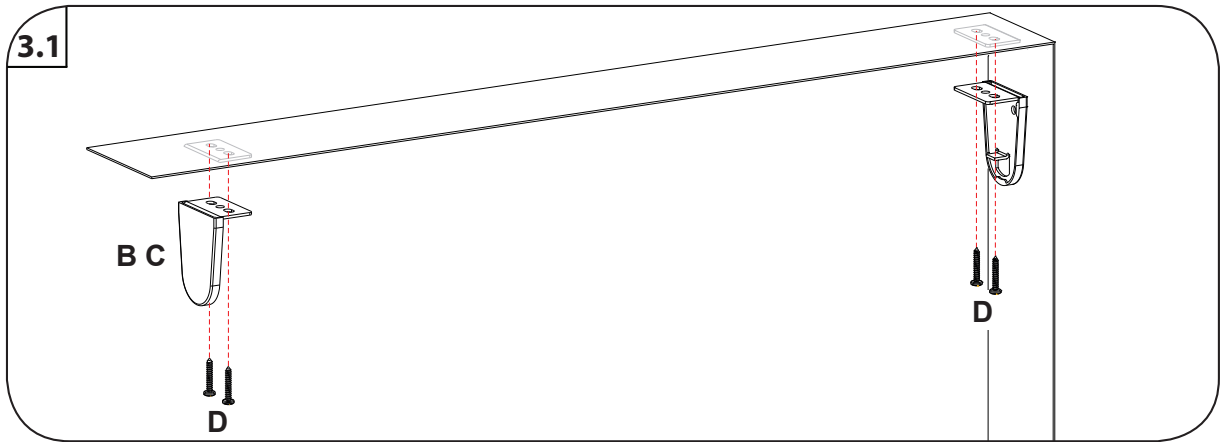


# Tuva / Filippa cordless roller blind

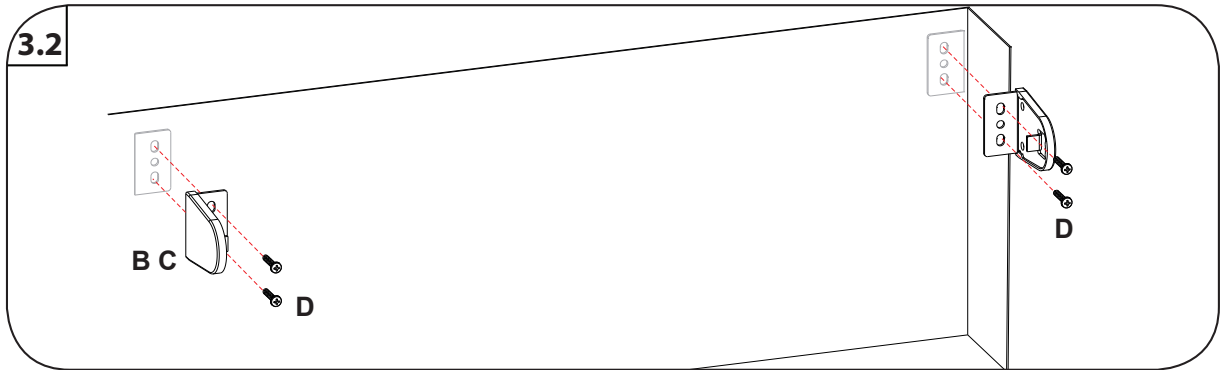
DEKOSOL®

## INSTALLATION INSTRUCTIONS

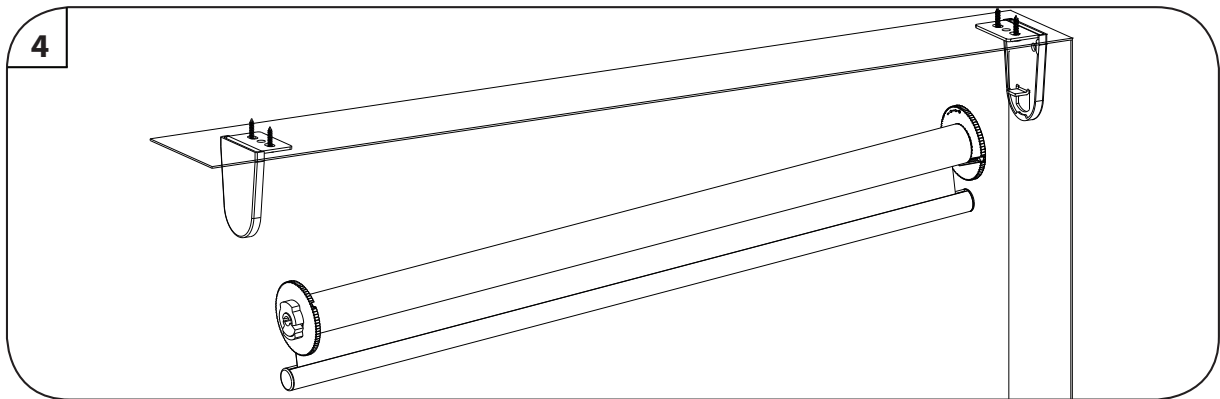
3.1



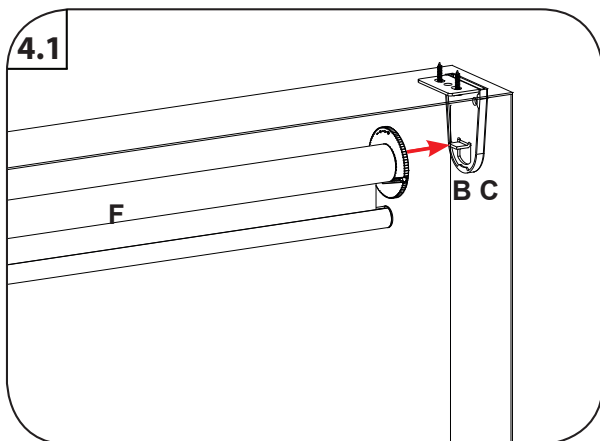
3.2



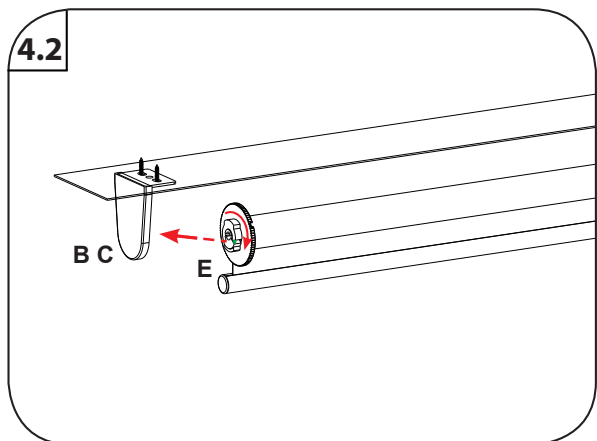
4



4.1

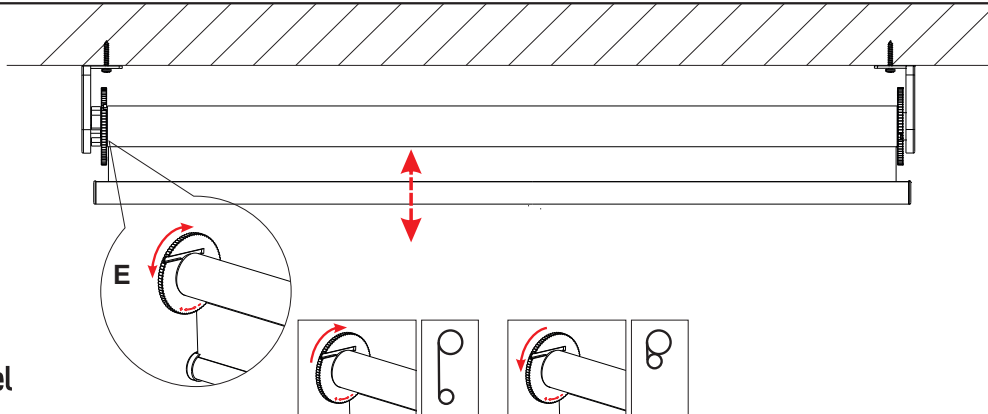


4.2



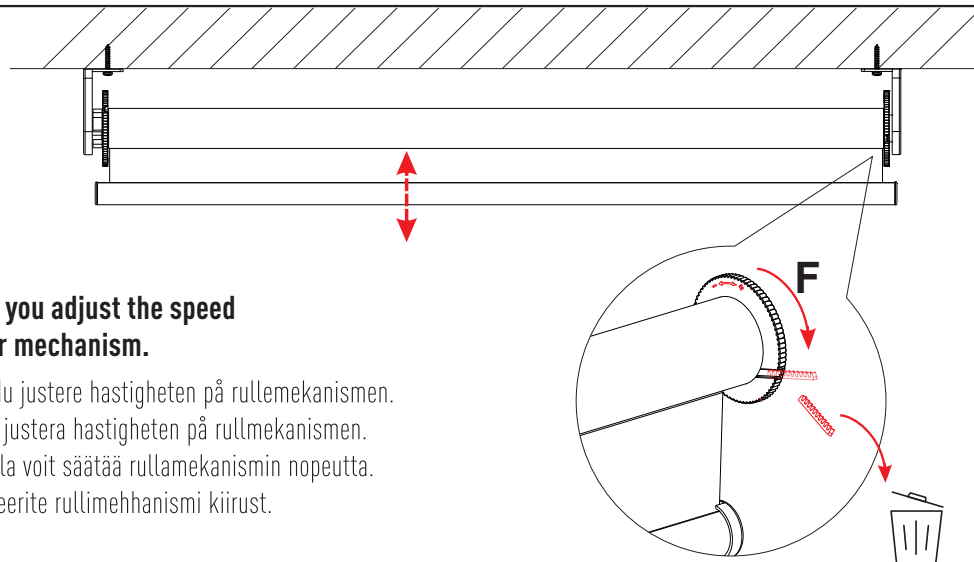
Shall the roller blind roll up fully, or have a «tongue»?

5.1



Left wheel

5.2



This is how you adjust the speed of the roller mechanism.

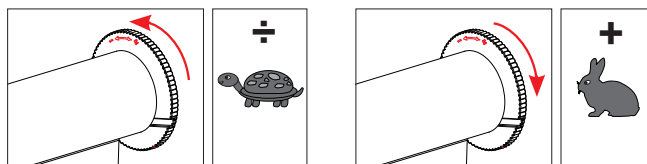
**NO** Slik kan du justere hastigheten på rullemekanismen.

**SE** Så kan du justera hastigheten på rullmekanismen.

**FI** Niiden avulla voit säätää rullamekanismin nopeutta.

**EST** Nii reguleerite rullimehhanismi kiirust.

Right wheel



# Tuva / Filippa cordless roller blind

DEKOSOL®

## INSTALLATION INSTRUCTIONS

